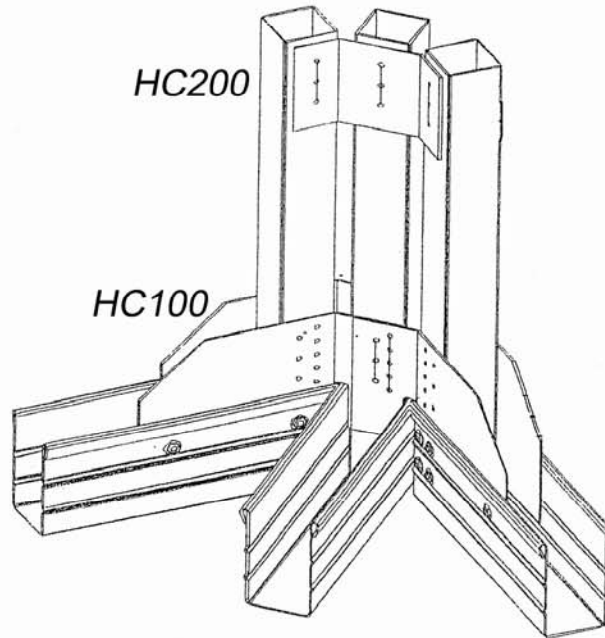




Progressive Systems, Inc.

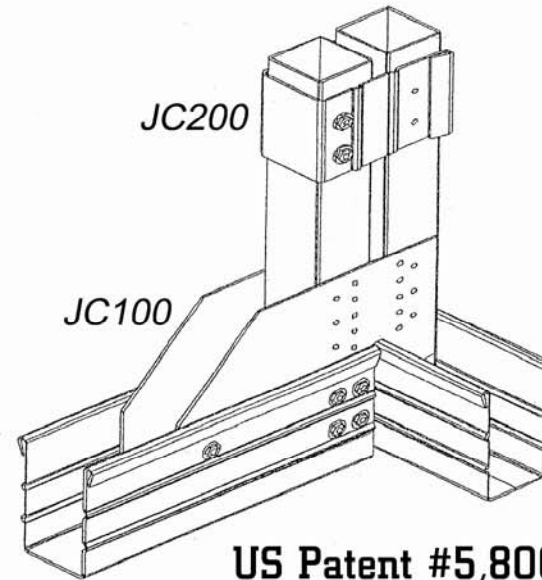
8095 RILEY STREET
PH: 800-964-6783

ZEELAND, MI 49464
FAX: 616-748-1683



**Truss Connection
at base of master hip**

Maximum Capacity 2000 lb per set



US Patent #5,806,265

**Truss Connection at standard
straight jack truss to girder**

Maximum Capacity 3000 lb per set

Hook & Hang Truss to Truss Connection